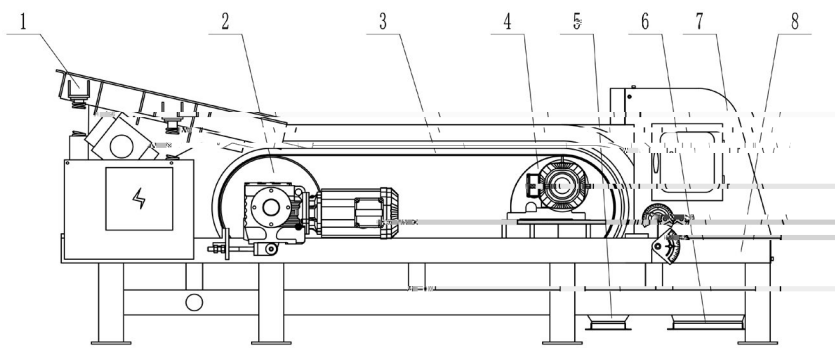
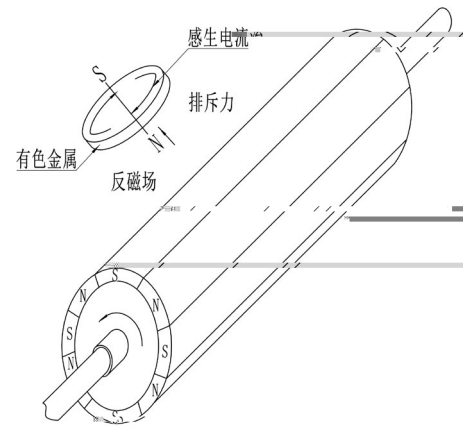


ECS 涡电流分选机



- 1-
- 2-
- 3-
- 4-
- 5-
- 6-
- 7-
- 8-

	t	mm	r/min	r/min	kW		L× B× H mm	Kg
ECS- 40	4	320	50- 2800	60- 150	4	1.1	3000X1500X1695	1680
ECS- 60	6	320			5.5	1.1	3400X1700X1695	2180
ECS- 80	8	320			5.5	1.5	3800X1900X1695	2750
ECS- 100	10	400			7.5	1.5	4200X2100X1695	3360
ECS- 120	12	400			7.5	1.5	5000X2450X1600	4750
ECS- 160	16	400			7.5	4	5800X2900X1600	5300
ECS- 200	20	400			11	4	6540X3300X1600	7900
ECS- 220	22	400			11	4	7500X3700X1600	8700

()